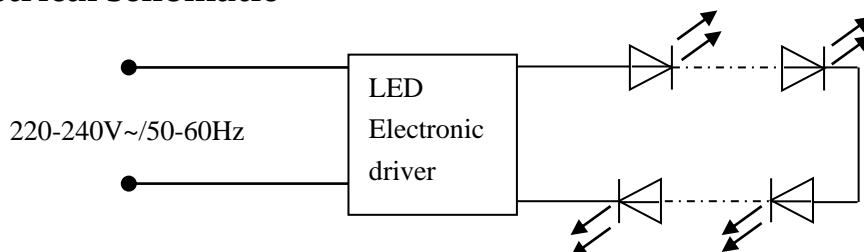


ILIAS LED LIGHTING

Mounting instruction

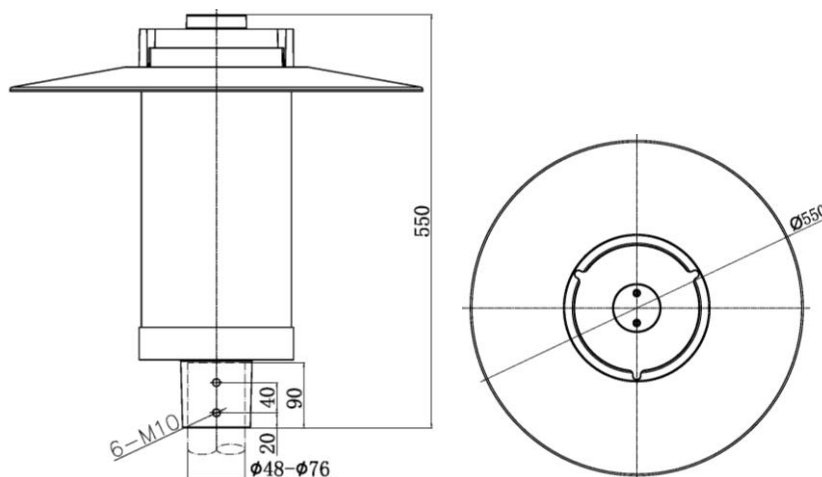


Electrical schematic



Product dimensions

Type D

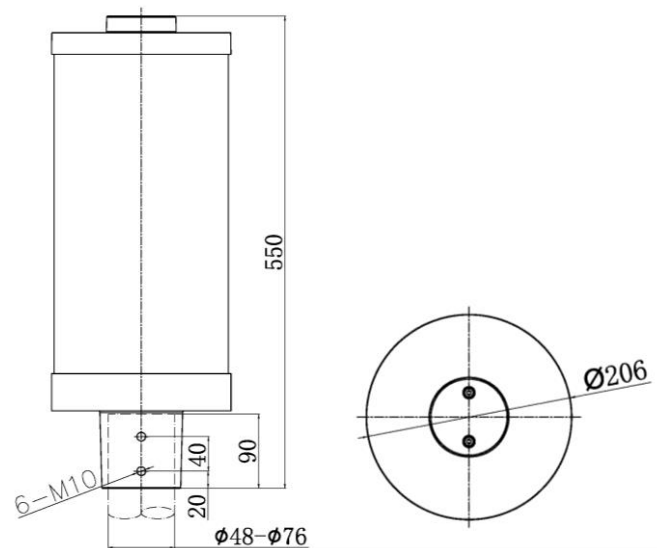


The max projected area: 0.11 m²

The max mounting height: 6 m

Weight: 6.8 Kg

Type T



The max projected area: 0.10 m²

The max mounting height: 6 m

Weight: 5.9 Kg

Mounting instruction

Type D

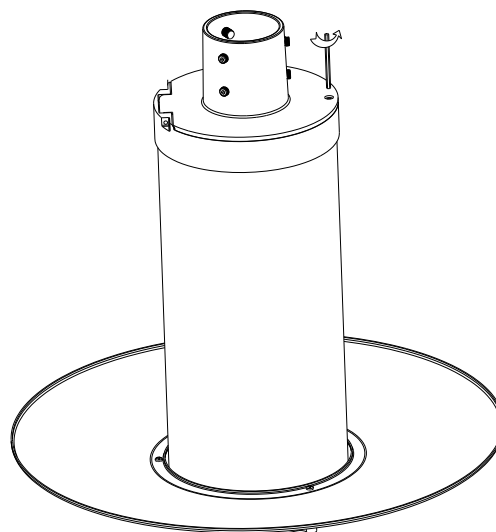


Fig. 1 Loose the screw

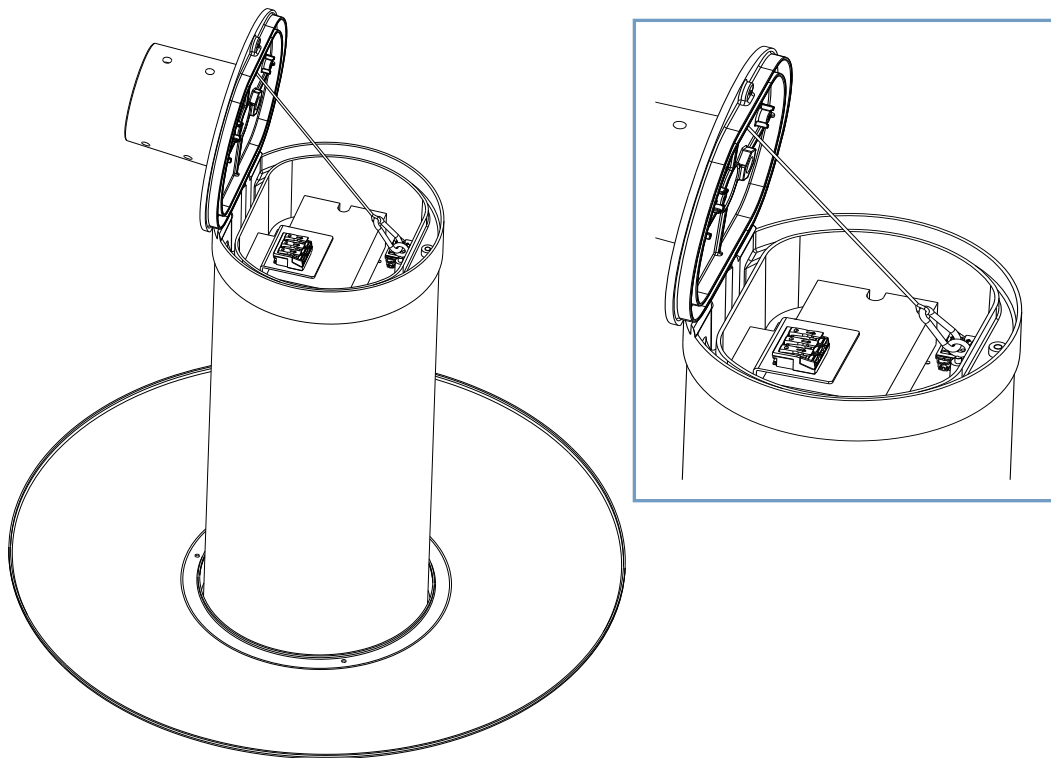


Fig. 2 Hang the hook

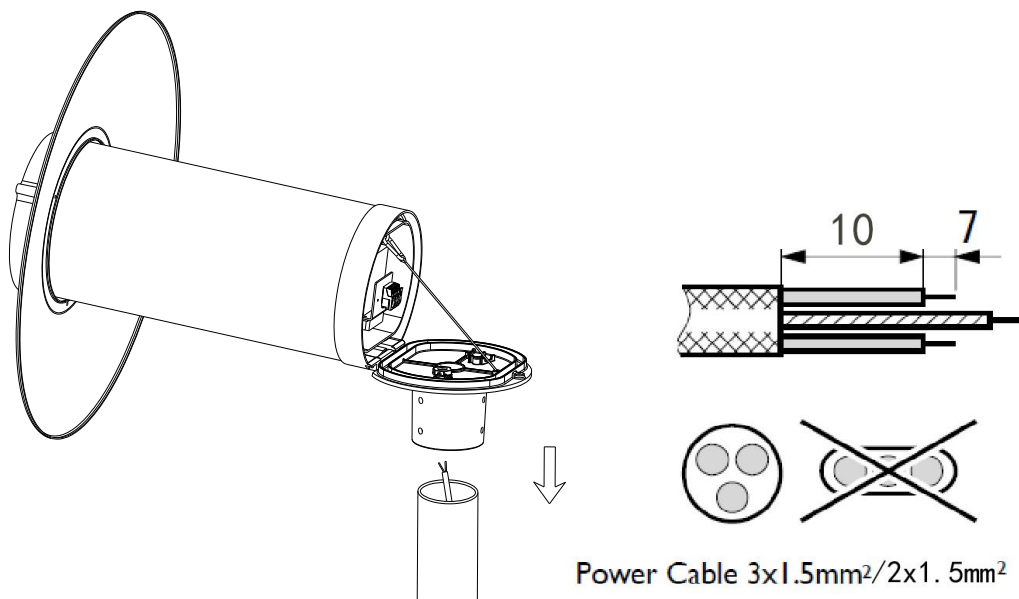


Fig. 3 Fix to the pole (outside diameter: 48 mm -76 mm)

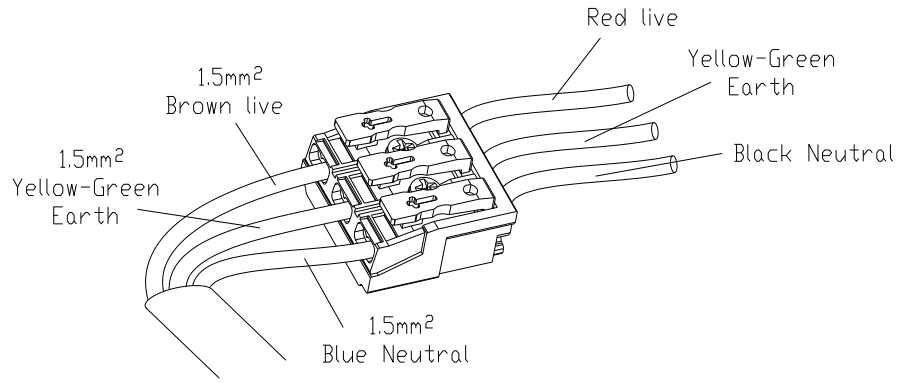


Fig. 4.1 For class I luminaire

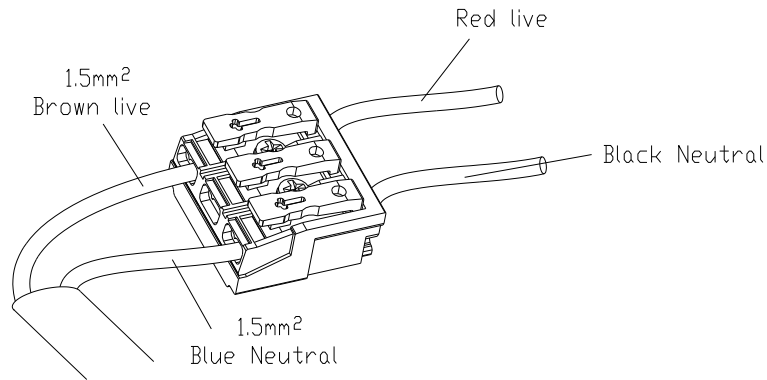


Fig. 4.2 For class II luminaire

Attention: The input cable should meet the requirement of 60245 IEC 57.

Fig. 4 connect the wire

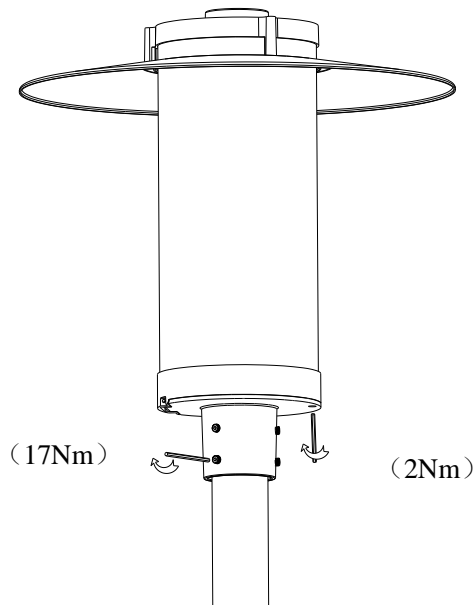


Fig. 5 Close screws

Type T

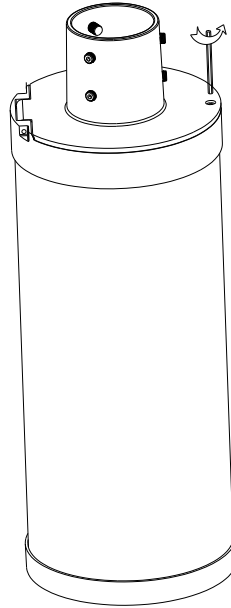


Fig. 6 Loose the screw

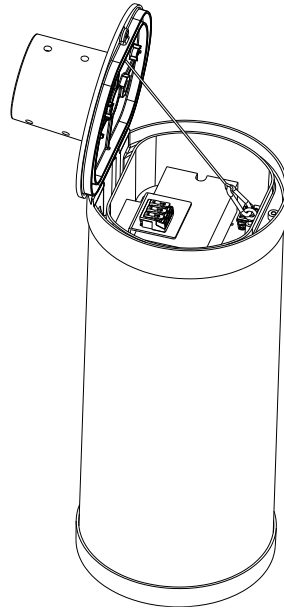


Fig. 7 Hang the hook

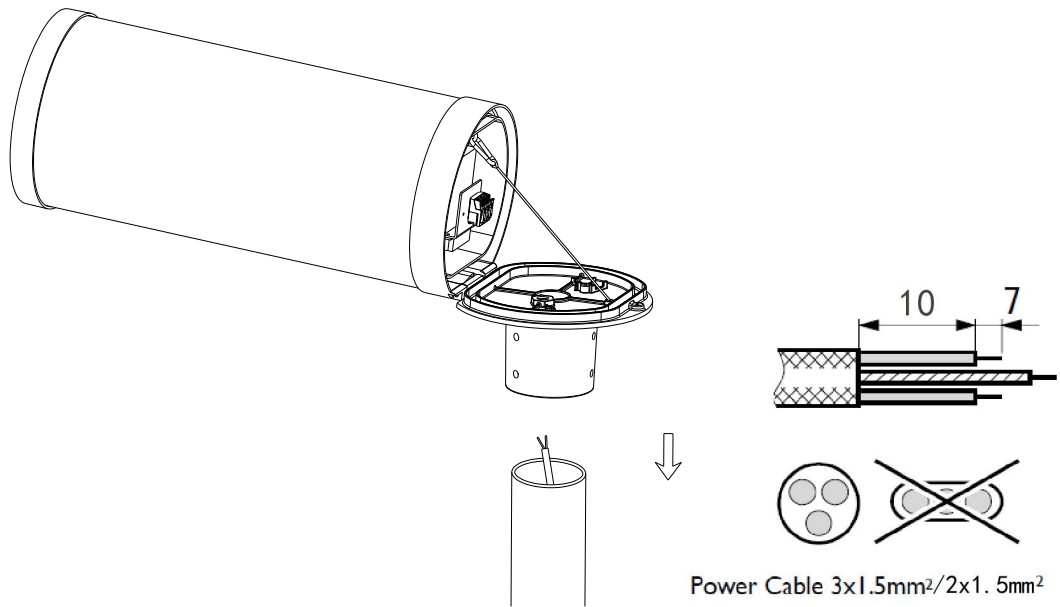


Fig. 8 Fix to the pole (outside diameter: 48 mm -76mm)

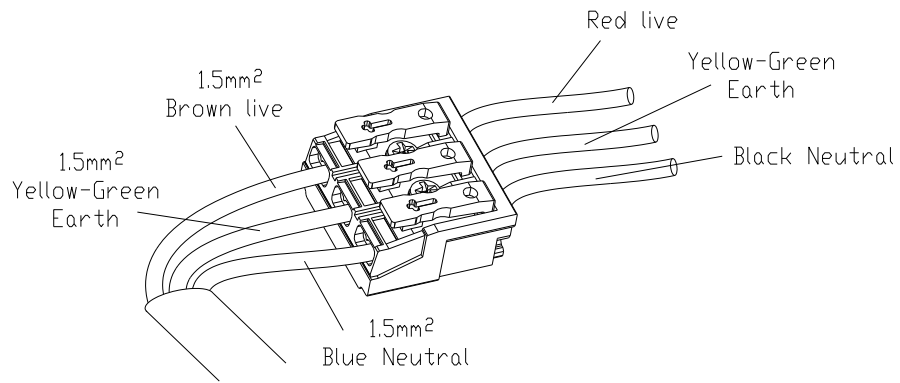


Fig. 9.1 For class I luminaire

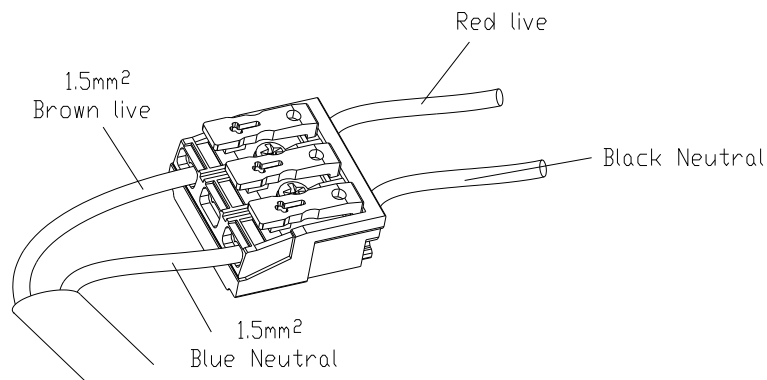


Fig. 9.2 For class II luminaire

Attention: The input cable should meet the requirement of 60245 IEC 57.

Fig. 9 connect the wire

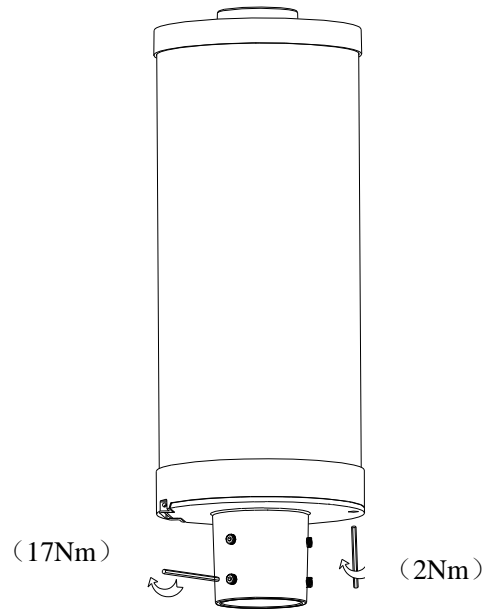


Fig. 10 Close screws



1. The lighting should be placed where is cool, dry, clean and not allowed to be placed in the water or closed to fire resource and high temperature place.
2. To make sure the lighting is intact before it is installed and used. Only the authorized electrician can install the lighting, and the wire should be in line with national standards.
3. To lock the wire's fixed head and the screw on the top cover tightly in order to make sure the light is waterproof.
4. Don't switch on the power when connecting the wire.
5. The input cable should be 3 cores for class I luminaire and 2 cores for class II luminaire. The min cross-sectional area of the conductor should be 1.5 mm^2 . The input cable should meet the require of 60245 IEC 57.
6. The light source contained in this luminaire shall only be replaced by the manufacturer or his service agent or a similar qualified person.